

RE-120GR

Agent Release Panel



Product Overview

RE-120GR is a microprocessor based Agent Release Panel. These panel are a feature packed control unit performing dual function of detection and controlled release of gaseous agent. These panels have 2 detection circuits and 1 agent release circuit with various programmable options. The panel have all the safety features to prevent accidental release, easy to install, commission with user friendly programmable option, this panel is ideal choice to protect the premises.

Features:

- Operates on 220 VAC supply
- Battery backup with built in charging.
- 16 X 2 LCD Dot Matrix Display.
- Evacuate and Key pad Enable, Disable Facility.
- Low battery visual warning with audible tone.
- Relay output for actuators.
- Provision for Remote fire with Audio / Visual Indications.
- Compatible to all types of conventional detectors.
- Zone Disable (Isolation) facility with loop voltage cut off.
- Resettable 24 VDC output for 4 wire detectors.
- Three 24V Sounder Output (Fire, after Cross zone, after gas release).
- Two mode operation facility (Auto / Manual).
- Programmable Solenoid Output with ON and OFF Timer.
- Programmable Main / Standby Cylinder output Facility.
- Gas Inhibit and Instant release facility.
- Manual Gas Release with or without timer.
- Actuator pressure low sensing facility.
- RS 485 Output for Repeater.

Special Features:

- Ravel Indian Manufacturer, International standard.
- Modular Construction, Serviceable.
- Special logic circuitry to prevent accident release.
- Auto Resettable Fuse.
- Surge Protected.
- Battery polarity & deep discharge protection.
- Variable solenoid ON / OFF time.
- 2 No's of programmable Initiating Device Circuit and 1 No. of Releasing Agent circuit.



Electrical Specification

Power

220-240 VAC, $\pm 10\%$, 50 Hz, 100W.
Wire size: 1.5 Sq. mm with 600V insulation

Battery (Lead Acid only)

Charging Voltage : 28 VDC, $\pm 2\%$.
Charging Current : 0.5 Amps (Max)
System Quiescent Current : 100mA

Initiating Device Circuits (Zone Circuit)

All zones are Class B wiring
Normal Operating Voltage : 14 - 21 VDC
Alarm Current : 15 - 30mA
Short Circuit Current : 40mA Maximum
Loop resistance : 50 ohms Maximum
End-Of-Line Resistor : 4.7K, 1/4watt
Standby Current : 6.8mA
(2.4mA for Detectors)

Notification Appliance Circuits (Sounder / Strobe Circuit)

- 1) Supervised : 1 No
Operating Nominal Voltage : 24 VDC
Operating Current : 0.75A (Max)
End-Of-Line Resistor : 4.7K, 1/4watt
- 2) Non - Supervised : 2 No's
Operating Nominal Voltage : 24 VDC
Operating Current : 0.3A (Max)
End-Of-Line Resistor : 4.7K, 1/4watt

Releasing Agent Circuit

Operating Nominal Voltage : 24 VDC
Solenoid output : 0.75A
End-Of-Line Resistor : 4.7K, 1/4watt (for Solenoid Output)

Relay Outputs

1 Form C relay for Fire, Fault and Cross Zoning.

Contact Rating: 2A @ 30 VDC & 0.5 A @ 125VAC.

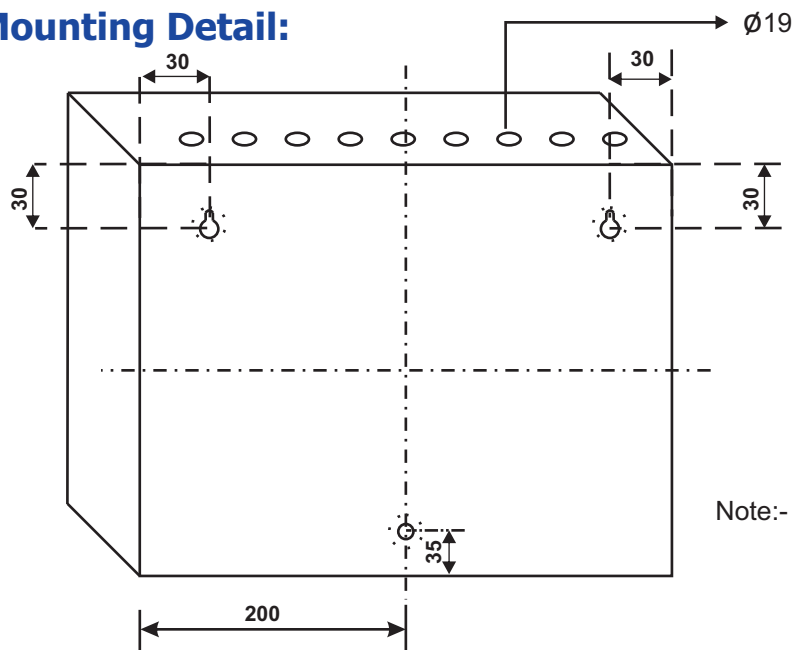
24 VDC Power For remote devices (Optional)

Operating Voltage : 24VDC, 300mA Max.

Operating Condition

Operating Temperature 0 - 49° C / 32-120° F.
Storage Temperature 0 - 60° C
Relative Humidity 93 \pm 2% RH (non-condensing) at 32 \pm 2° C / 90 \pm 3° F.

Mounting Detail:



Note:- All Dimensions are in MM

Mechanical Specification:

Dimensions : (400W X 300H X 100D)
Color : Red / White
Construction : 18 Gauge (1.22mm) CRCA sheet with powder-coated Finish
IP Rating : IP50
Cable Entry : 09 x ϕ 19mm Knockout in top of the cabinet
Weight : 7 Kg

