

RE-24CS

CONVENTIONAL SOUNDER / HORN

General

The Sounders are designed to provide primary and secondary notification for security applications. Piezo electric sounders are designed in sleek body with easy to install on both flush and ceiling mounted with / without back. Audible output of 100db shall be achieved with less power consumption. ABS plastic material with red colour shall be suitable for a wide range of fire alarm systems.

Features

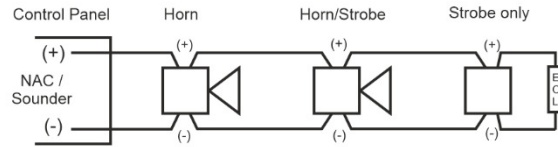
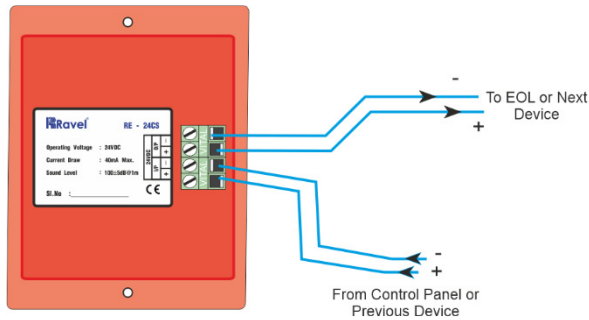
- Slim and Sleek.
- Wall or Ceiling mountable.
- Sounder with Back Box.
- 24VDC Operation.
- Used in Fire, Burglar & Emergency Alarm System.



Specification

	Electrical Specification
<i>Operating Voltage</i>	18 ~ 32V DC
<i>Operating Current</i>	40 mA (max)
<i>Sound Level</i>	100 ± 5 dB@1m
<i>Operating Temperature</i>	0 - 49° C / 32-120° F
<i>Storage Temperature</i>	0°C to 60°C
<i>Sounder Type</i>	Piezo Electric Type
<i>Tone Type</i>	Fire Engine Vailing
<i>Material</i>	ABS Plastic
<i>Weight</i>	0.35Kg (0.600Kg with Back box) Approx.
<i>Color</i>	Red
<i>Dimensions</i>	(96 H X 76 L X 32 D) mm
<i>Back Box</i>	(95 H X 75 L X 66 D) mm

Wiring Diagram



Compatible Panels

Model	Description
RE-102	Conventional 2 Zone Fire Alarm Control Panel
RE-104	Conventional 4 Zone Fire Alarm Control Panel
RE-2554	Conventional 2 Zone Fire Alarm Control Panel
RE-2558	Conventional 4 Zone Fire Alarm Control Panel
RE-900 Series	Conventional Fire Alarm Control Panel
RE-25AR	Conventional 4 Zone Agent Release Control Panel

Compatible Devices

Model	Description
RE-717MC	Addressable Control Module
RE-717MR	Addressable Relay Module
RE-717MX	Addressable Input Output Module

Ordering Information

Model	Description
RE-24CS	Conventional Sounder / Horn

India

RAVEL ELECTRONICS PVT LTD.,
150A, Electronics Industrial Estate,
Perungudi, Chennai – 96, India.
E-mail: marketing@ravelfire.com; Web: www.ravelfire.com

United Kingdom

RAVEL ELECTRONICS LTD.,
Unit 11, Chancel Industrial Estate, Newhall street,
Willenhall WV13 1NX, West Midlands, United Kingdom.
E-mail: info@ravelfire.co.uk; Web: www.ravelfire.co.uk

USA

RAVEL AMERICAS INC.,
2855 NW 112th Ave ST#2 Miami,
Doral, Florida 33172, USA.