

# RE-25AR

## CONVENTIONAL AGENT RELEASE PANEL

### General

Agent Release Panel fully complies with UL-864 and NFPA-72. While implementing the latest in microprocessor technology for conventional panels ease to operate along with clear visible indications come at an advantage for the end user. These panel are a feature packed control unit performing dual function of detection and controlled release of gaseous agent. This panels have various correlation options like four zones for one agent release circuit or two detection circuit for one agent release circuit or another two detection for another agent release circuit The panel have all the safety features to prevent accidental release, easy to install, commission with user friendly programmable option, this panel is ideal choice to protect the premises.



### Features

- 16x2 Dot Matrix LCD display.
- Operates on 120-220VAC  $\pm$  10%, 60 - 50 Hz, mains power supply.
- 4 Class B Initiating Device Circuit (IDC).
- All zones accept smoke detectors and any normally open contact device.
- Any Zone can be configured as alarm or supervisory zone.
- 2 Class B Programmable Releasing Agent Circuits (RAC).
- 2 Class B Notification Appliance Circuits (NAC).
- Standby (battery) backup 24V DC power supply with built in charger
- Main, Standby status audio visual indication.
- Battery Low audio visual warning tone.
- 3 Form C programmable relays for fire / fault /supervisory / Gas Released.
- Two modes of operations Auto / Manual.
- Programmable 24V DC Outputs.
- RS 485 Communication facility (Optional).
- 200 Events history log with RTC.
- Walk Test facility.
- Zone Isolation facility with voltage cut off.
- Earth fault annunciation facility.
- All field wiring circuits are power limited except 220VAC and Battery.
- All field wiring circuits are supervised.
- AC low voltage cutoff.
- Programmable RAC's with count down timer.
- Programmable AC loss delay.
- Programmable trouble remainder.

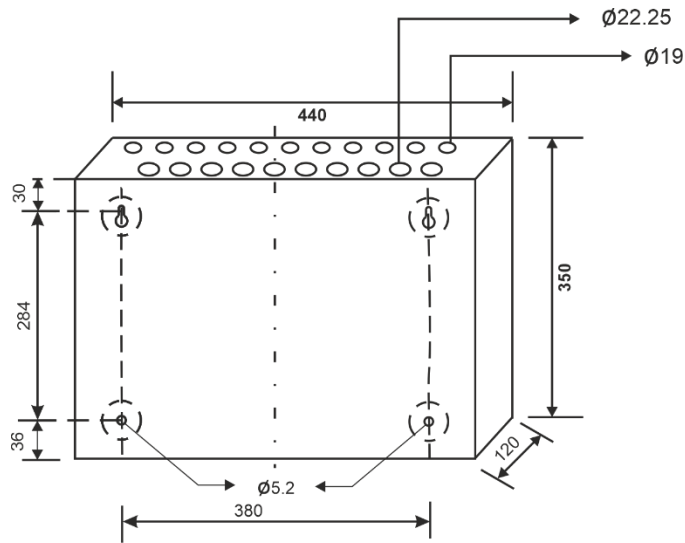
### Special Features

- UL Listed (9th Edition).
- Switch Mode Power Supply.
- Modular Construction, Serviceable.
- Special logic circuitry to prevent accident release.
- Auto Resettable Fuse.
- Surge Protected.
- Battery polarity & deep discharge protection.
- Variable solenoid ON / OFF time.
- Separate LED indications on front facia for individual Releasing Agent Circuit.
- Lock and key facility for authorized access.

## Specification

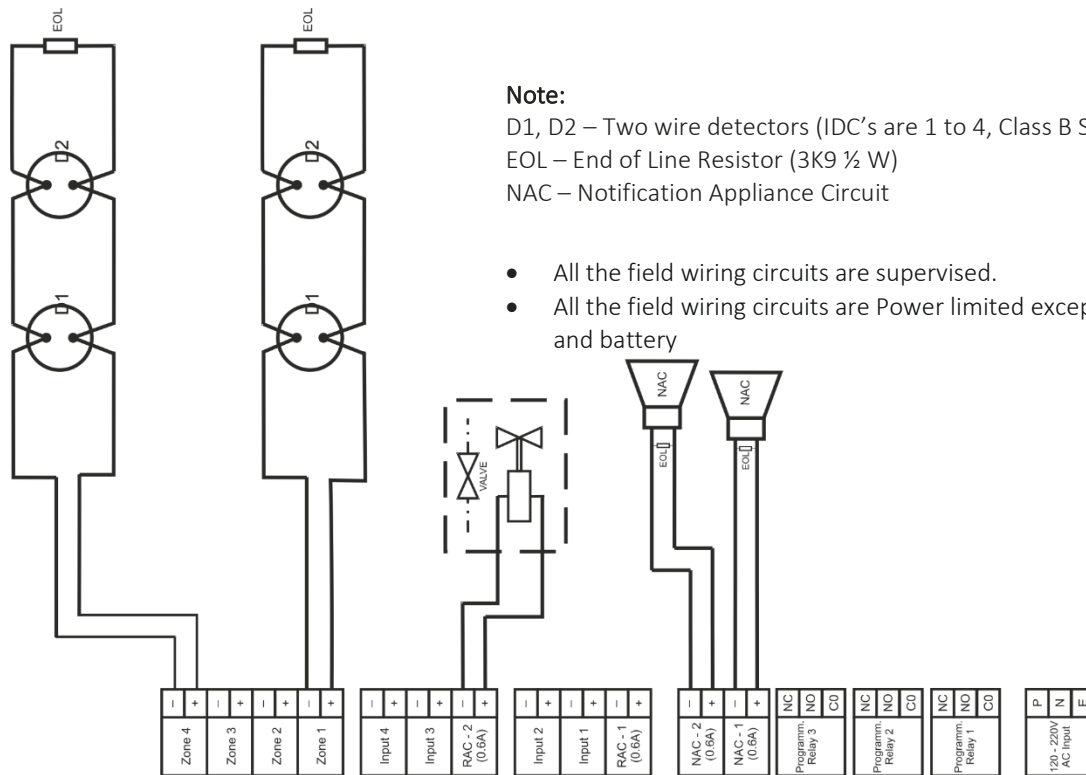
Electrical Specification		
<b>Primary Power</b>	120 - 220VAC $\pm$ 10%, 60 - 50 Hz, 2.5Amps, 100W	
<b>Standby Power</b>	24VDC (2 No's of 12 V, 12Ah sealed lead acid battery).	
<b>Operating Condition</b>	Operating Temperature 0 – 49° C / 32 – 120° F. Relative Humidity 93 $\pm$ 2% RH (non-condensing) at 32 $\pm$ 2° C / 90 $\pm$ 3° F	
<b>Storage Temperature</b>	0 – 60° C	
<b>Quiescent Current</b>	120 mA.	
<b>Charging Circuit</b>	Charging voltage 28 V, $\pm$ 2% nominal Charging current 800mA (max)	
<b>Notification Appliance Circuits</b>	Quantity	2 No's
	Wiring style	Class B, Style Y
	Operating voltage	24VDC nominal
	Current	0.6A per circuit
	Line drop	1.8V
	EOL resistor	3K9, ½ watt
<b>Releasing Agent Circuits</b>	Quantity	2 No's
	Wiring style	Class B, Style Y
	Operating voltage	24VDC nominal
	Current	0.6A per circuit
	Line drop	1.8V
	EOL resistor	3K9, ½ watt
<b>DC Output</b>	Quantity	1 No
	Voltage	24VDC regulated
	Current	300mA (max)
<b>Relays</b>	Type	Form C
	Quantity	3 No's
	Relay contact rating	0.5A @ 125 VAC
	Power factor	1.0
<b>Initiating Device Circuits</b>	Wiring style	Class B, Style B/C
	Quantity	4 No's
	Normal operating voltage	14 – 21 VDC
	Alarm current	15 – 30 mA
	Short circuit current	45 mA (max)
	Loop resistance	100 $\Omega$ (max)
	EOL Resistor	3K9, ½ watt
	Standby current	7 mA (2 mA for detectors)
<b>Programmable Input Circuit</b>	Quantity	4 No's
	Normal operating voltage	8 – 12 VDC
	Short circuit current	5 mA (max)
	Loop resistance	100 $\Omega$ (max)
	EOL Resistor	3K9, ½ watt
	Standby current	2.5 mA
	Manual release switch	3 (max)
Mechanical Specification		
<b>Dimensions</b>	(440W X 350H X 120D) mm	
<b>Color</b>	Red / White	
<b>Construction</b>	18 Gauge (1.22mm) CRCA sheet with powder-coated finish	
<b>IP Rating</b>	IP50	
<b>Cable Entry</b>	11xØ19mm Knockout on top of the cabinet	
	10xØ22.25mm Knockout on top of the cabinet	

# Dimensions



Note:- All Dimensions are in MM

# Wiring Configuration



**Note:**

D1, D2 – Two wire detectors (IDC’s are 1 to 4, Class B Style B/C)

EOL – End of Line Resistor (3K9 ½ W)

NAC – Notification Appliance Circuit

- All the field wiring circuits are supervised.
- All the field wiring circuits are Power limited except 120-220V AC and battery

## Compatible Devices

Models	Description
<i>11591NC</i>	Solenoid Valve
<i>PA0337NC</i>	Solenoid Valve
<i>RE-3K9</i>	End of Line Resistor
<i>RE-316S-2L</i>	Conventional photoelectric smoke detector with base.
<i>RE-316H-2L</i>	Conventional Heat detector with base.
<i>RE-316SH-2L</i>	Conventional multi sensor detector with base
<i>RE-24CS</i>	Conventional sounder / Horn
<i>RE-716SO</i>	Sounder / Horn – UL Listed
<i>RE-716SS</i>	Sounder / Horn cum Strobe - UL Listed
<i>RE-716P1T</i>	Single Action Manual Pull station - UL Listed
<i>RE-716P1TLP(G)</i>	Dual Action Manual Release Station - UL Listed
<i>RE-716P1TLP(Y)</i>	Dual Action Manual Abort Station - UL Listed
<i>RE-716P1TLP(R)</i>	Dual Action Manual Pull Station - UL Listed

## Ordering Information

Models	Description
RE-25AR	Conventional 4 Zone Agent Release Panel

Note:

W - White colour

R – Red Colour

### India

RAVEL ELECTRONICS PVT LTD.,  
150A, Electronics Industrial Estate,  
Perungudi, Chennai – 96, India.  
E-mail: [marketing@ravelfire.com](mailto:marketing@ravelfire.com); Web: [www.ravelfire.com](http://www.ravelfire.com)

### United Kingdom

RAVEL ELECTRONICS LTD.,  
Unit 11, Chancel Industrial Estate, Newhall street,  
Willenhall WV13 1NX, West Midlands, United Kingdom.  
E-mail: [info@ravelfire.co.uk](mailto:info@ravelfire.co.uk); Web: [www.ravelfire.co.uk](http://www.ravelfire.co.uk)

### USA

RAVEL AMERICAS INC.,  
2855 NW 112<sup>th</sup> Ave ST#2 Miami,  
Doral, Florida 33172, USA.