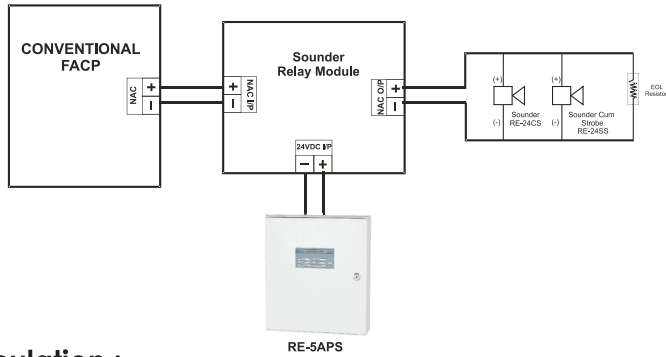


2) RE-5APS Connected with 24VDC I/P Conventional Sounder Relay Module.



**Battery Calculation :**

- Normal Condition :  $X = S$  (Amps) x \_\_\_\_ Hrs. (Backup time required)
- Alarm Condition :  $Y = F$  (Amps) x \_\_\_\_ Hrs. (Backup time required)
- Battery Ah required :  $AH = (X + Y) \times 1.2$  (Derating Factor).

System current (S) = Quiescent Current; Fire current (F) = Max. NAC Current

Example

$S=0.035A$ ,  $F=1.74A$ , Normal backup time: 24 hrs, alarm time: 60 min

Normal condition  $X=(0.035 \times 24 \text{ hrs}) = 0.84$

Alarm condition  $Y=1.74 \times 1 \text{ Hr (60 min)} = 1.74$

Total AH required = **AH** =  $(0.84+1.74) \times 1.2 = 3.096 \text{ AH}$

**Power Supply Panel**

**Installation, Commissioning & Operating Manual**

**RAVEL ELECTRONICS PVT LTD.,**  
 150A, Electronics Industrial Estate,  
 Perungudi, Chennai - 96 .India.  
 Ph.: +91-44-2496 1004 / 0825. Fax: +91-44-4204 9599.  
 Web : [www.ravelfire.com](http://www.ravelfire.com)  
 E-Mail: [marketing@ravelfire.com](mailto:marketing@ravelfire.com)

## Product Overview:

The RE-5APS is compact and cost effective 5 Amps power supply with build-in charger. It may be connect to the any 24 Volt Fire alarm control panel or may be stand-alone for the primary applications like Notification appliance circuit expansion or auxiliary power to support 24 Volt system accessories. It provides regulated and filtered 24 VDC power to NAC's and it also contains a battery charger capable of charging up to 14 Ah batteries. The Panel has a builtin battery provision to accommodate 2 No's of 12V, 7Ah batteries.

## Features :

- Operates on 220V, A.C supply.
- Battery backup with built in charging.
- Low battery visual warning with audible tone.
- DC Output indication.

## Specification:

**Mains** 220 VAC, 50 Hz +10%, -15%.  
Wire size: 1.5 Sq. mm with 600V insulation

## Battery (Lead Acid only)

- Charging Voltage: 28 VDC  $\pm$  0.5V
- Charging Current: 800mA Max
- System Quiescent Current: 35mA

Output Voltage : 24VDC @ 5A Max.

Dimension : 350 Width x 4000 Height x 100 Depth (mm)

Weight : 6 Kg Max.

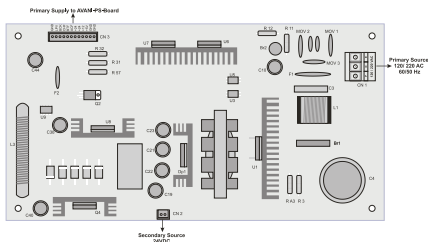


Fig-1:-Power Supply Board

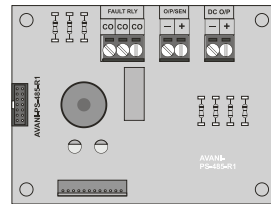
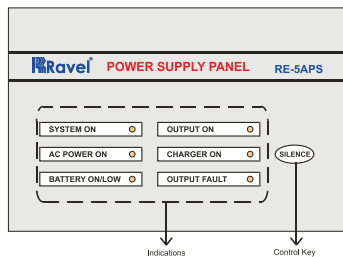


Fig-2:- Power Supply Indications

## Indication



- System On - Green
- AC Power On - Green
- Battery On - Green
- Battery Low - Green with Blink
- Output On - Green
- Charger On - Green
- Output Fault - Yellow

**Local Buzzer :** A piezo buzzer provides separate and distinct sounds for alarm, trouble and supervisory conditions: Fault – pulse 0.5sec ON and 5sec OFF

## Installation

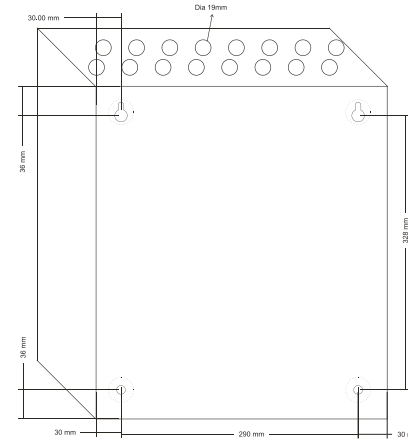


Fig-3:- Mounting of Panel

Remove all the Boards before placing the panel in its mounting position. Place the panel in its mounting position and fix the panel to the wall using the slots of the screws. Ensure the enclosure and the inner parts of the panel are given sufficient protection during installation. Fix the all boards in its position. All external cables are to be entered via the 16 numbers of  $\phi$ 19mm preformed knockouts located at top of the panel. When installation of all the cables has been completed, clean the interior of the enclosure ensuring all masonry debris and drilling swords are removed.

## Application :

We Can Connect the RE-5APS Powers Supply having 24VDC Terminals as shown below.

### 1) RE-5APS Connected with 24VDC I/P Addressable Module.

