

# RE-716SO SOUNDER

## Product Overview

RE-716SO sounder is designed to deliver cost-efficient and reliable safety solutions which meet various international standards to fulfil the industry's needs. The RE-716SO sounders can be flush / ceiling mounted with / without back box.

## Features:

- ✍ UL 464,UL - S525
- ✍ 2 Audible Tones Settings : Continuous and Temporal 3
- ✍ 24VDC Operation
- ✍ They are used in Fire, Burglar & Emergency Alarm System

## Electrical Specification

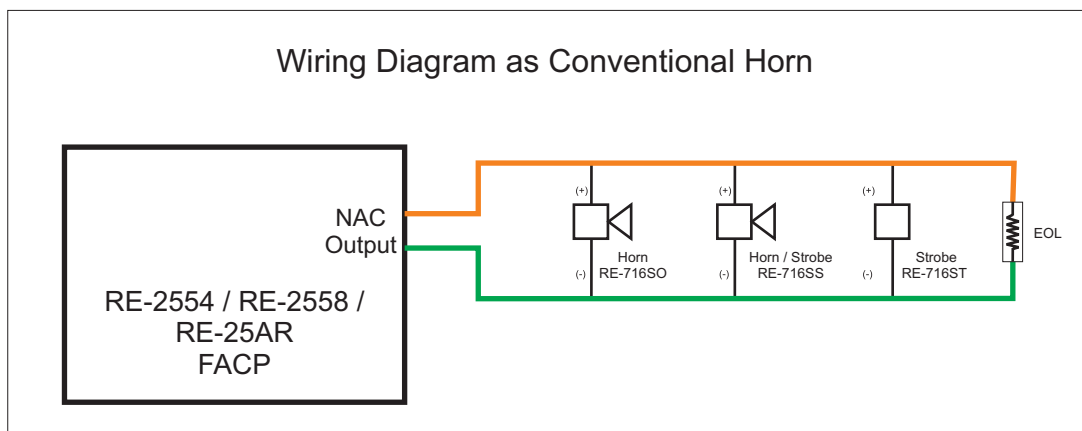
1. Max. Current Draw	:	25mA
2. Operating Voltage	:	24V DC(16-33 VDC)/FWR
3. Mounting Options	:	Standard 4" *4" Back box
4. Sounder output	:	75dB to 85dB
5. Compliance	:	UL 464,UL-S525
6. Wiring	:	2 Wire Type.
7. Screw Terminals	:	#12 to #18 AWG Wires

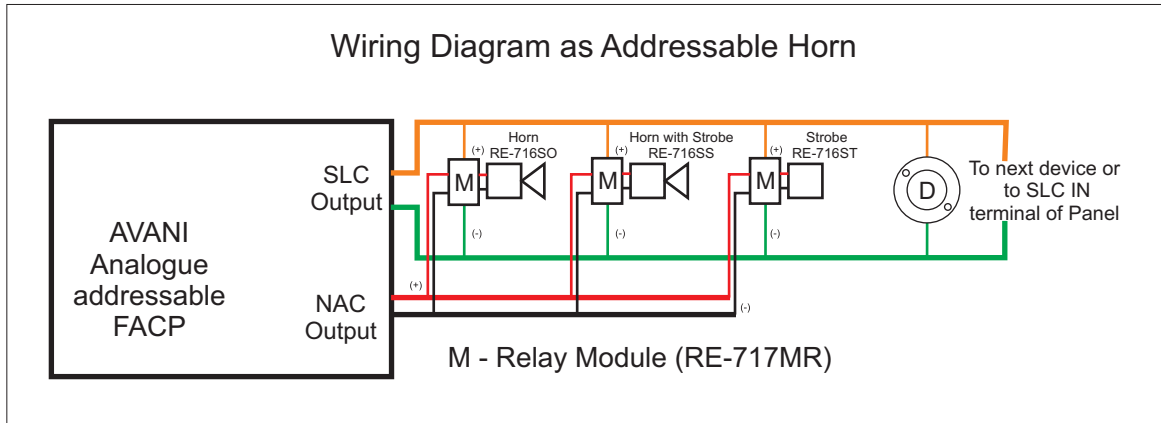


## Mechanical specification

- ✍ Length : 140mm
- ✍ Width : 120mm
- ✍ Depth : 51mm

## Wiring Details





## Compatible Device:

MODEL	DESCRIPTION
Avani	Analogue Addressable Fire Alarm Control Panel
RE-25AR	Agent Release Panel
RE-2558/2554	4 & 8 Zone Fire Alarm Control Panel

## Ordering Information:

MODEL	DESCRIPTION
RE-716SO	SOUNDER

### India:

**RAVEL ELECTRONICS PVT LTD.,**  
 (An ISO 9001 Certified Company)  
 150A, Electronics Industrial Estate, Perungudi, Chennai - 96 .India.  
 E-Mail: [marketing@ravelfire.com](mailto:marketing@ravelfire.com); Web : [www.ravelfire.com](http://www.ravelfire.com)

### United Kingdom:

**RAVEL ELECTRONICS LTD.,**  
 Unit 11, Chancel Industrial Estate, Newhall street,  
 Willenhall WV13 1NX, West Midlands, United Kingdom.  
 E-mail: [info@ravelfire.co.uk](mailto:info@ravelfire.co.uk); Web: [www.ravelfire.co.uk](http://www.ravelfire.co.uk)