

RE-716SS

Sounder cum Strobe

Product Overview

RE-716SS sounder cum strobe provides an efficient and cost-effective way to meet various international standards such as NFPA72 (2016 edition). Strobe light consists of xenon flash tube. It can be flush / ceiling mounted with / without back box.

Features:

- UL 1971,ULC-S525,UL 464,ULC-S526
- Low Current Draw
- Flexible optic design to meet the light dispersion
- 4 candela settings:15/30/75/110cd output
- 2 audible tone settings: Continuous/Temporal 3
- Slim and Sleek
- They are used in Fire, Burglar & Emergency Alarm System.

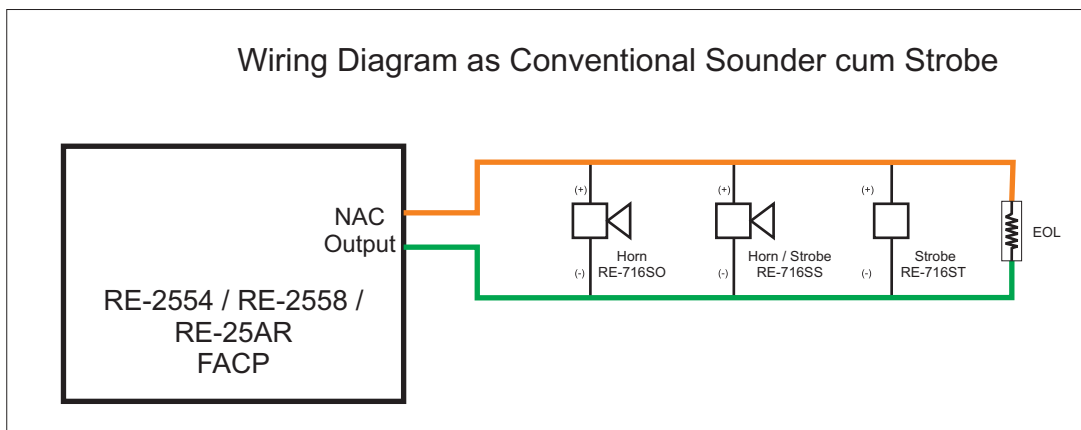


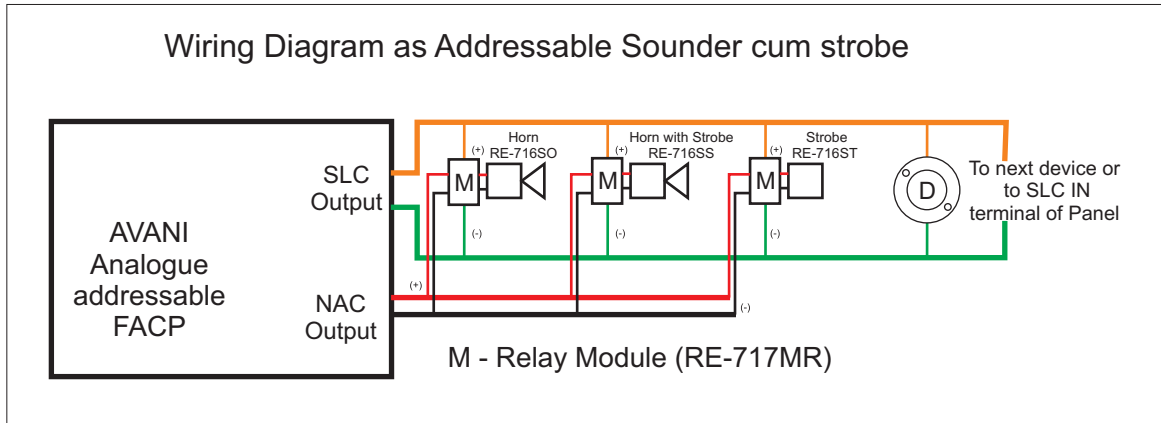
Electrical Specification

1. Light Source & Color : High power cool white LED
2. Pulse Duration : 20ms
3. Max Current Draw(mA) : 67-93mA
4. Flash Rate : 1 flash per second
5. Operating Voltage : 24VDC(16-33VDC) / FWR
6. Sounder Output : 75dB to 85 dB
7. Mounting Options : Standard 4" * 4" back box
8. Dimension : 5.5"L *4.7"W *2.0"D(140mmL*120mmW*51mmD)
9. Wiring : 2-Wire Type
10. Screw Terminals : #12 to #18 AWG wires



Wiring Details





Compatible Device:

MODEL	DESCRIPTION
Avani	Analogue Addressable Fire Alarm Control Panel
RE-25AR	Agent Release Panel
RE-2558/2554	4 & 8 Zone Fire Alarm Control Panel

Ordering Information:

MODEL	DESCRIPTION
RE-716SS	SOUNDER CUM STROBE

India:

RAVEL ELECTRONICS PVT LTD.,
 (An ISO 9001 Certified Company)
 150A, Electronics Industrial Estate, Perungudi, Chennai - 96 .India.
 E-Mail: marketing@ravelfire.com; Web : www.ravelfire.com

United Kingdom:

RAVEL ELECTRONICS LTD.,
 Unit 11, Chancel Industrial Estate, Newhall street,
 Willenhall WV13 1NX, West Midlands, United Kingdom.
 E-mail: info@ravelfire.co.uk ;Web: www.ravelfire.co.uk