

RE-717MI

ADDRESSABLE FAULT ISOLATOR MODULE

General

The Isolator module is an automatic device that isolates a part of the loop by opening when the line voltage drops below 14Volts. These modules should be spaced between groups of sensors or modules in a loop to isolate the faulty area from the rest of the loop. If a short occurs between any two isolators, then both isolators immediately switch to an open state and isolate the devices between them. The remaining units on the loop continue to fully operate. Recommended to connect a maximum of 20 devices to each isolator. The module blinks indicating normal status and a steady glow when activated.



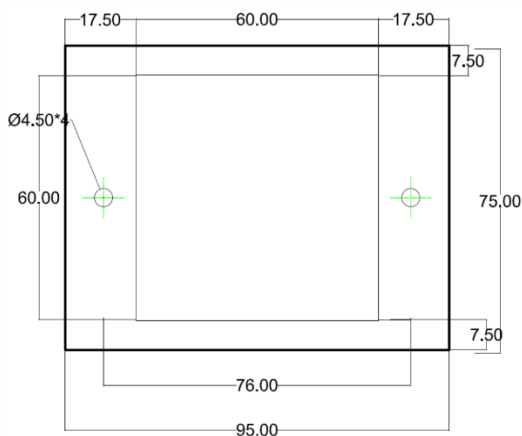
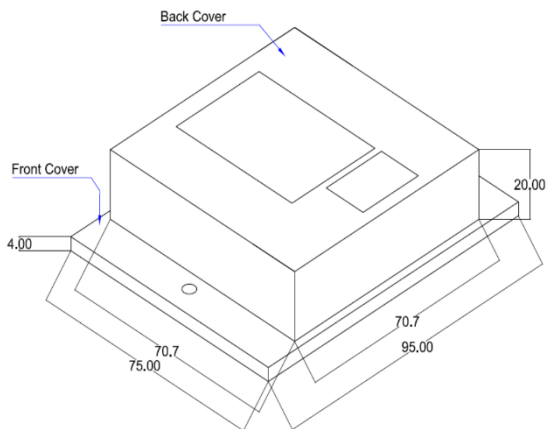
Features

- Complies UL standard.
- CE Approved.
- Module Status by YELLOW LED.
- Bidirectional protection.
- Low Standby Current.
- Available with suitable back boxes.

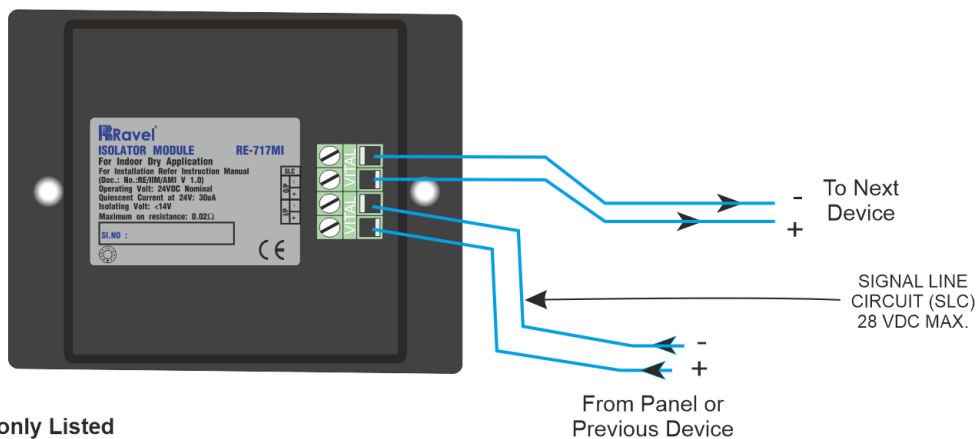
Specification

Electrical Specification	
<i>Min Supply Voltage (Vmin)</i>	17V
<i>Max Supply Voltage(Vmax)</i>	28VDC
<i>Nominal Supply Voltage(V_{nom})</i>	24VDC
<i>Quiescent Current at 24V(Ic)</i>	30µA
<i>Operating Temperature</i>	10°C to 49°C
<i>Storage Temperature</i>	10°C to 60°C
<i>Leakage Current at 24V(I_l)</i>	2 mA when isolating
<i>Max Curent (through loop)(I_s)</i>	1Acontinuous, 3APeak
<i>Isolating Voltage (Vco)</i>	<14V
<i>Maximum on resistance(Zc)</i>	0.02Ω
<i>Re-connect Voltage(Voc)</i>	14 ~ 16V
Mechanical Specification	
<i>Dimensions</i>	(95 W X 75 H X 24D) mm
<i>Color</i>	Black
<i>Weight</i>	0.35 Kg

Dimensions



Wiring Configuration



Use only Listed Compatible Panel

Compatible Device

Model	Description
<i>Avani</i>	Analogue addressable Fire Alarm Control panel expandable upto 4 loop
<i>Avani db</i>	Analogue Addressable Fire Alarm Control panel expandable upto 2 loop
<i>Avani XL</i>	Analogue Addressable Fire Alarm Control Panel expandable upto 8 Loop

Ordering Information

Models	Description
RE-717MI	Addressable Fault Isolator Module

India

RAVEL ELECTRONICS PVT LTD.,
150A, Electronics Industrial Estate,
Perungudi, Chennai – 96, India.
E-mail: marketing@ravelfire.com; Web: www.ravelfire.com

United Kingdom

RAVEL ELECTRONICS LTD.,
Unit 11, Chancel Industrial Estate, Newhall street,
Willenhall WV13 1NX, West Midlands, United Kingdom.
E-mail: info@ravelfire.co.uk; Web: www.ravelfire.co.uk

USA

RAVEL AMERICAS INC.,
2855 NW 112th Ave ST#2 Miami,
Doral, Florida 33172, USA.