

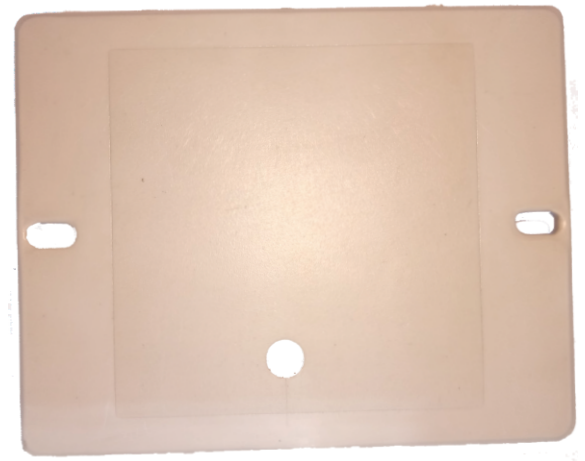
# RE -737MI

## Analogue Addressable Isolator Module



### Product Overview:

The Isolator module is an automatic device that isolates a part of the loop by opening when the line voltage drops below 14Volts. These modules should be spaced between groups of sensors or modules in a loop to isolate the faulty area from the rest of the loop. If a short occurs between any two isolators, then both isolators immediately switch to an open state and isolate the devices between them. The remaining units on the loop continue to fully operate. A maximum of 20 devices recommended to connect each isolator. The module blinks to normal status and glow steady when activated.



### Features:

- Module Status by YELLOW LED.
- Low Standby Current.
- Available with suitable back boxes

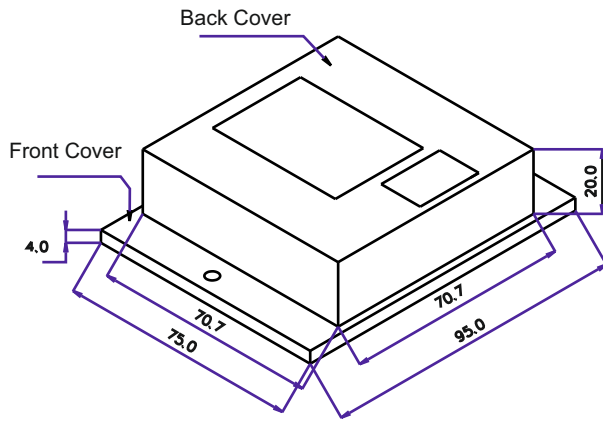
### Electrical Characteristics

- Min Supply Voltage ( $V_{min}$ ) : 17V
- Max Supply Voltage( $V_{max}$ ) : 28VDC
- Nominal Supply Voltage( $V_{nom}$ ) : 24VDC
- Quiescent Current at 24V( $I_c$ ) : 30 $\mu$ A
- Leakage Current at 24V( $I_l$ ) : 2 mA when isolating
- Max Current (through loop)( $I_s$ ) : 1A continuous, 3A Peak
- Isolating Voltage ( $V_{co}$ ) : <14V
- Maximum on resistance( $Z_c$ ) : 0.02 $\Omega$
- Re-connect Voltage( $V_{oc}$ ) : 14 ~ 16V

### Mechanical Specification:

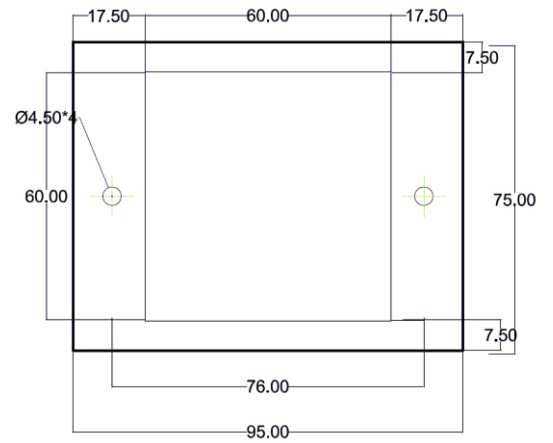
- Dimensions : (95 W X 75 H X 24D) mm
- Color : Black
- Weight : 0.35Kg

### G.A.Diagram:

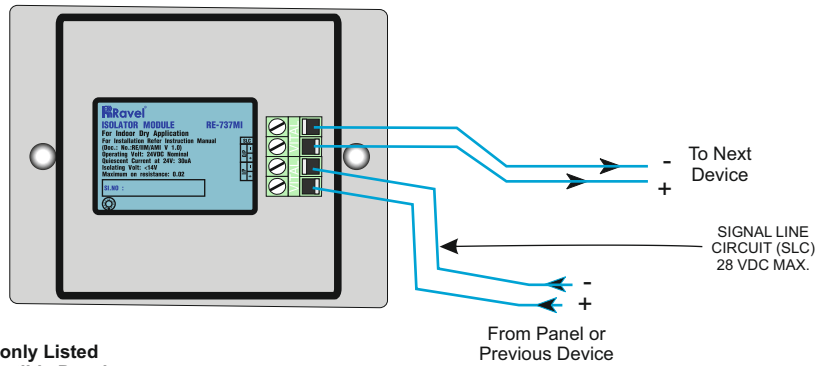


ALL DIMENSIONS ARE IN MM

### Mounting Detail:



### Wiring Configuration



Use only Listed Compatible Panel

### **Compatible Devices:**

MODELS	DESCRIPTION
Monit1	Analogue Addressable Fire Alarm Control Panel

### **Ordering Information:**

MODEL	DESCRIPTION
RE - 737MI	Analogue Addressable Isolator Module

#### India:

**RAVEL ELECTRONICS PVT LTD.,**  
 (An ISO 9001 Company)  
 150A, Electronics Industrial Estate, Perungudi, Chennai - 96 .India.  
 E-Mail: marketing@ravelfire.com; Web : www.ravelfire.com

#### United Kingdom:

**RAVEL ELECTRONICS LTD.,**  
 Unit 11, Chancel Industrial Estate, Newhall street,  
 Willenhall WV13 1NX, West Midlands, United Kingdom.  
 E-mail: info@ravelfire.co.uk ;Web: www.ravelfire.co.uk