

RE-737MX

Analogue Addressable Input Output Module



Product Overview:

RE-737MX input output module is combination of relay module and monitor module. It contains one Form C relay contact allowing the panel to switch the contacts on command and one switch monitor input to monitor the devices like water flow switches, security contacts, pull stations etc. The RED blinking LED indicates normal operating conditions and the steady state LED for activated conditions. These modules are addressed by soft addressing method through a programming tool or through the panel.

Note:

The address setting done by either Manual or Autolearn. This module requires two addresses, one for relay module and one for monitor module. During addressing the devices, consecutive address should not give to next device after the RE-737MX.

1) Autolearn through FACP. The module automatically assigns first address to Input Section (set address in module) and second consecutive address (Next address in module) to output section respectively.

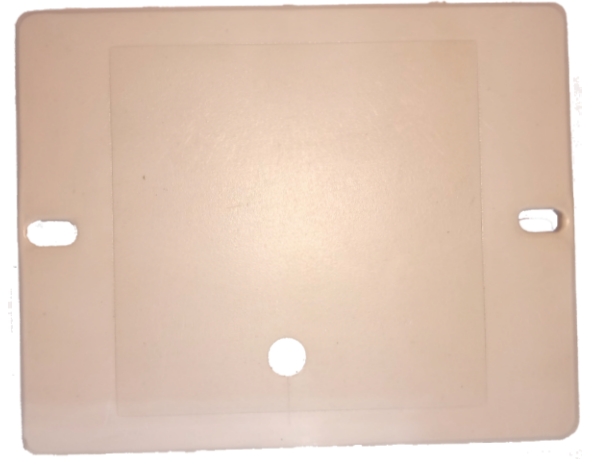
2) Manual address setting or via ACS software, first address is assigned to input section & consecutive second address set manually to output section.

Features:

- 3Inbuilt Isolator.
- Module Status by RED LED.
- Analogue Communication with the panel.
- Soft Addressing using programming Tool.
- Low Standby Current.
- Available with suitable back boxes.

Electrical Specification:

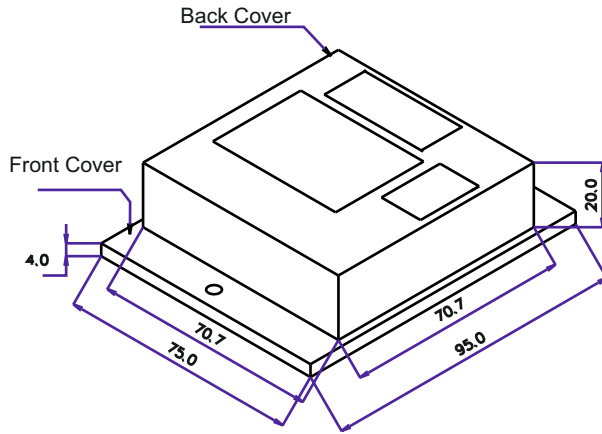
Operating Voltage	:	24 VDC Nominal.
Alarm Current	:	2.7 mA Max.
Standby Current	:	0.7 mA
Contact Rating	:	2A @ 30VDC(Resistive)
End of Line Resistor	:	47K Ohms
Communication Line		
Loop Impedance	:	40 Ohms
IDC wiring Resistance	:	1000 Ohms Max.
IDC Voltage	:	8 V Max.
Temperature Range	:	0°C to 49°C / 32°- 120°F
Humidity	:	93 ± 2% RH (non-condensing) at 32 ±2° C / 90 ±3° F.



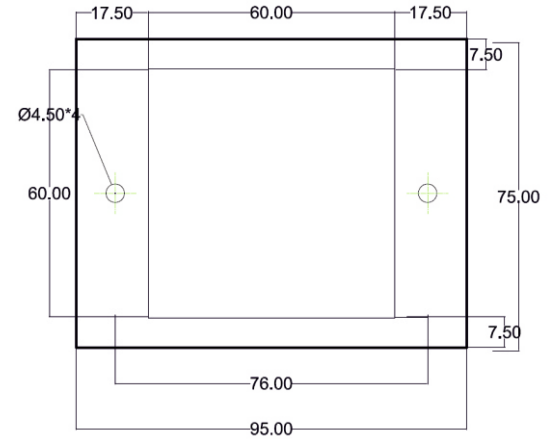
Mechanical Specification:

Dimensions : (95 W X 75 H X 24D) mm
 Color : Light Gray
 Weight : 0.35 Kg

G.A. Diagram:

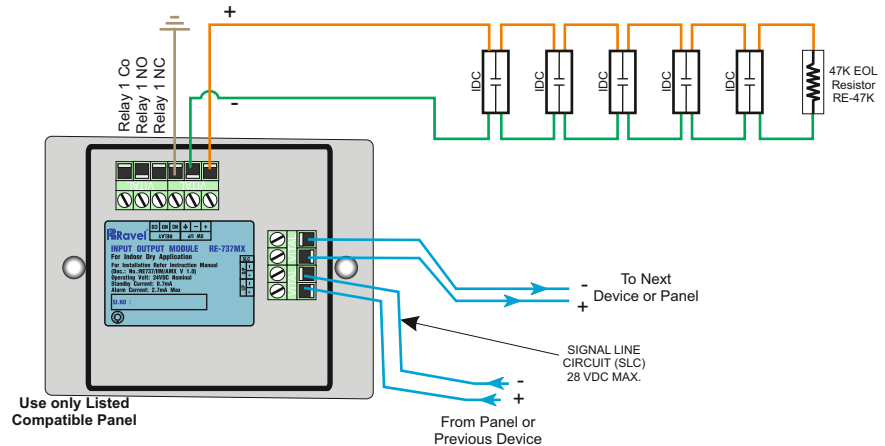


Mounting Detail:



ALL DIMENSIONS ARE IN MM

Wiring Configuration



NOTE:

* ALL WIRING SHOWN IS SUPERVISED AND POWER LIMITED

Compatible Devices:

MODELS	DESCRIPTION
Monitl	Analogue Addressable Fire Alarm Control Panel

Ordering Information:

MODEL	DESCRIPTION
RE - 737MX	Analogue Addressable Input Output Module

India:

RAVEL ELECTRONICS PVT LTD.,
 (An ISO 9001 Company)
 150A, Electronics Industrial Estate, Perungudi, Chennai - 96 .India.
 E-Mail: marketing@ravelfire.com; Web : www.ravelfire.com

United Kingdom:

RAVEL ELECTRONICS LTD.,
 Unit 11, Chancel Industrial Estate, Newhall street,
 Willenhall WV13 1NX, West Midlands, United Kingdom.
 E-mail: info@ravelfire.co.uk ;Web: www.ravelfire.co.uk