

REVAC₁₆

Public Address Console



Product Overview

REVAC₁₆ is for the purpose of making announcements, conveying information and messages needed in a particular location or zone. This find, wide application in large areas like Hotels, Offices, Hospitals, Factories, commercial complexes, Airports, Education Institutions and Auditoriums. The consoles comes in a range begins from 16 Zone Expandable upto 128 zones with multiplication of 16zones, it is compatible RE-900 Series and it is possible to connect the other control panel through remote input contact. This console is user friendly system with option of zone selection for individual zone announcement and common announcement through microphones.

Features

- * Operates on 220VAC 50 Hz, Main switch mode power supply.
- * Standby backup 24VDC battery.
- * CE approved.
- * 19", Rack mountable.
- * System ON, Power fault, Common Fault indications.
- * Membrane Keypad for user friendly operation.
- * Inbuilt amplifier maximum 125 / 250 watts can accommodate in a console.
- * It can be integrated with any third party FACP.
- * Additional Amplifier can expand up to 250W.
- * One push to talk Microphone provided for announcement.
- * Zone Wise (Speaker line) Selection facility with LED indication.
- * All loud speaker lines are supervised.
- * Volume level indicator.
- * Voice / Alarm / Allcall / DVA / MIC selection facility
- * Programmable Mode (Alarm, Mic, Music, DVA) Selection facility.
- * 100V audio output for Speaker.
- * Fault Relay output for actuators.
- * Alarm activated on automatically announcing mode.
- * Compatible with RE-900 Series via RS 485 Communication.
- * Voice recording option available.
- * DVD Input Facility using 3.5mm jack.
- * Zone expansion in Multiples of 16, upto 128 Zone.



Specification

Power Supply

Primary Power : 220VAC \pm 10%, 50 Hz.
Standby Power : 24VDC

Charging Circuit

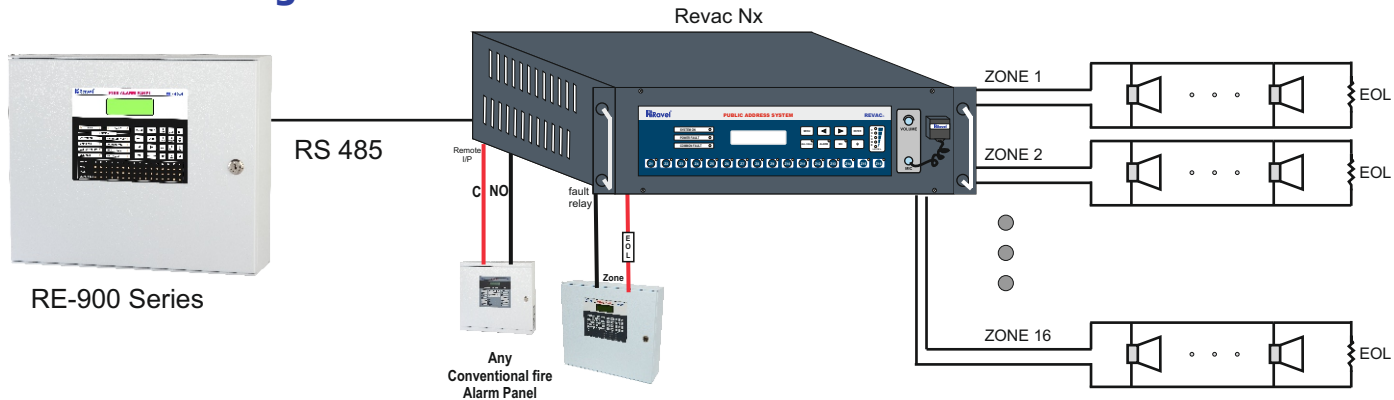
Charging Voltage : 28 V \pm 0.2V Nominal
Charging Current : 1.2A (Max.).
Operating Temperature : 0 - 49° C/32-120° F.
Relative Humidity : 93 \pm 2% RH (non-condensing) at 32 \pm 2° C/90 \pm 3° F.
Relay contact rating : 2 Amps @ 30VDC , 0.5 Amps @ 125VAC.

DC Output : 24 VDC @ Max 3A

Audio

audio output : 100V
Max Wattage : Built-in 125W / 250W ; 500W Max.
Audio Input : Inbuilt MIC, DVA & Alarm tone
MIC Type : Hand mobile
Communication Interface : RS-485
Dimensions(3U) : (484 W X 134 H X 325 D)mm

Connection diagram



Ordering Information

Model	Watts	Description
REVAC ₁₂₅	125W	1-16 Zone PA Main Console
REVAC ₂₅₀	250W	1-16 Zone PA Main Console

Compatible Devices:

MODEL	DESCRIPTION
RE-900 Series	Fire Alarm Control Panel
Any FACP	Fire Alarm Control Panel
RE-LS10W	PA Wall Speaker
RE-LS10C	PA Ceiling Speaker
RE-032XP	17-32 Zone PA Expander
RE-048XP	33-48 Zone PA Expander
RE-064XP	49-64 Zone PA Expander
RE-080XP	65- 80 Zone PA Expander
RE-096XP	81-96 Zone PA Expander
RE-112XP	97-112 Zone PA Expander
RE-128XP	113-128 Zone PA Expander

India:

RAVEL ELECTRONICS PVT LTD.,

(An ISO 9001 Certified Company)
150A, Electronics Industrial Estate, Perungudi, Chennai - 96 .India.
E-Mail: marketing@ravelfire.com; Web : www.ravelfire.com

United Kingdom:

RAVEL ELECTRONICS LTD.,

Unit 11, Chancel Industrial Estate, Newhall street,
Willenhall WV13 1NX, West Midlands, United Kingdom.
E-mail: info@ravelfire.co.uk ;Web: www.ravelfire.co.uk