

RE - LS20W

P.A.Wall Speker

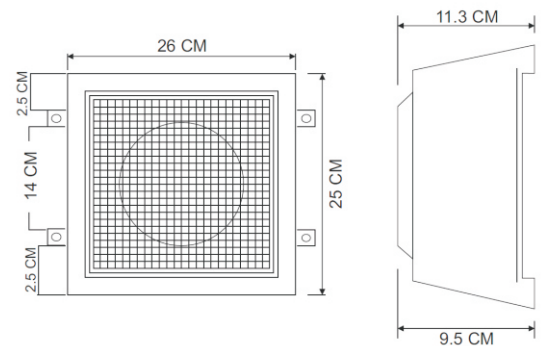


Features:

- * Wall mounted with 15 cm cone speaker for announcement and paging.
- * Attractive, stylish ABS white plastic box.
- * Cost effective high power PA box.
- * The specially designed sculptured edge offer both style and protection.
- * Equipped with the transformer to provide tappable 100V line.
- * Provision to connect with 100V line and 4 ohms.
- * Optional Volume control.

Electrical Specification:

Input Power	: 20W
Tappings	: 100V Line / 4 ohms
Impedance	: 2.5W, 5W, 10W
Dynamic cone Speaker	: 1 X 15 CM
Frequency Response	: 100 - 15000 Hz
SPL @ (1W/1M)	: 92 dB
Weight (Approx.)	: 1.850Kg
Dimensions	: (250H X 260W X 113D) mm



Ordering Information

Model	Description
RE-LS20W	P.A. Wall Speaker

India:

RAVEL ELECTRONICS PVT LTD.,
(An ISO 9001 Certified Company)
150A, Electronics Industrial Estate, Perungudi, Chennai - 96 .India.
E-Mail: marketing@ravelfire.com; Web : www.ravelfire.com

United Kingdom:

RAVEL ELECTRONICS LTD.,
Unit 11, Chancel Industrial Estate, Newhall street,
Willenhall WV13 1NX, West Midlands, United Kingdom.
E-mail: info@ravelfire.co.uk ;Web: www.ravelfire.co.uk